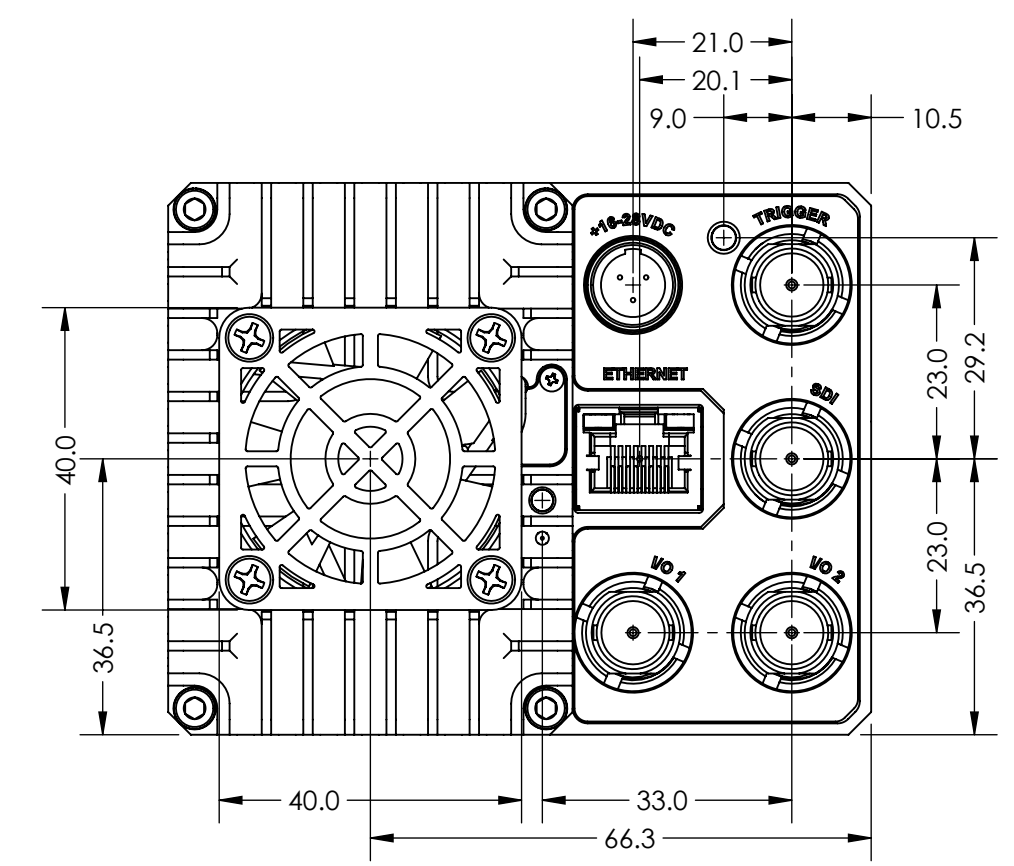
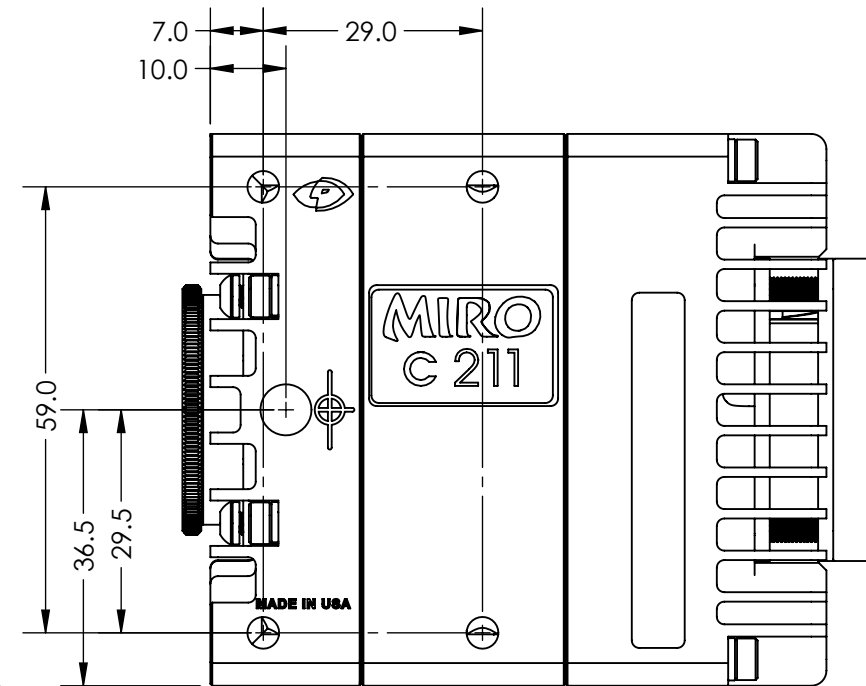
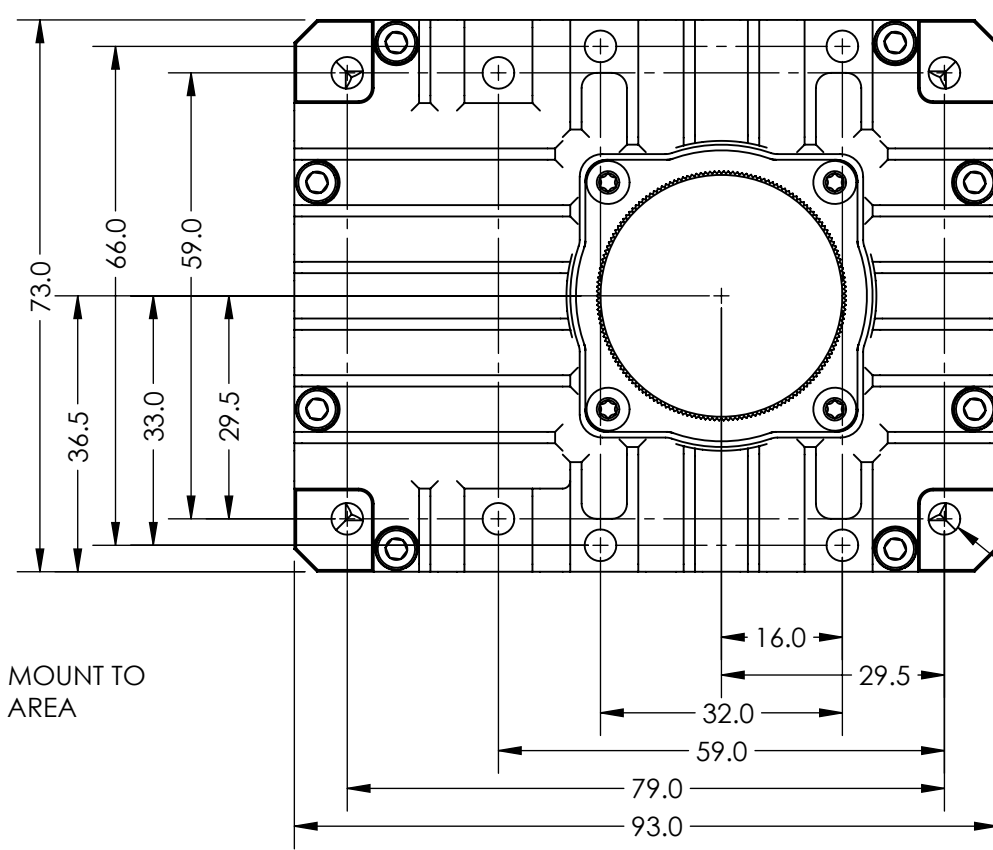
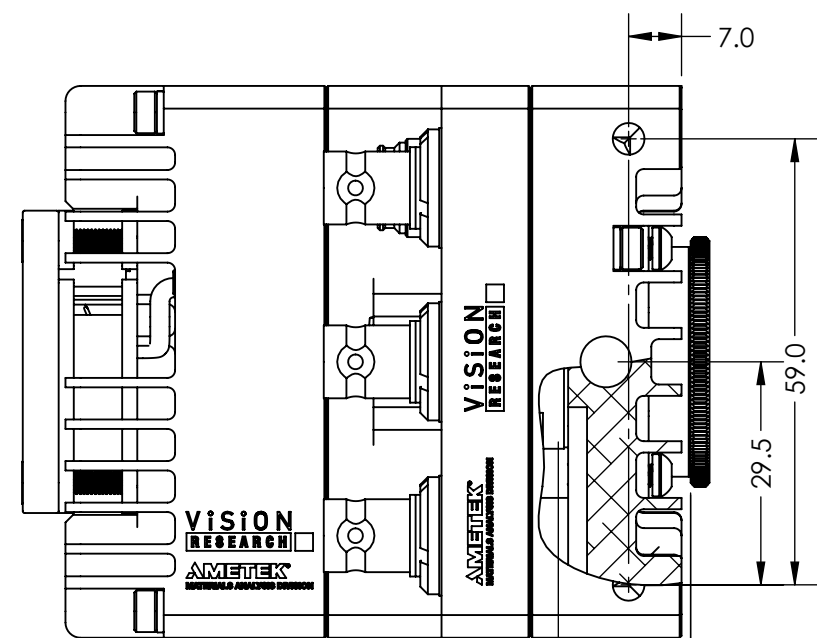
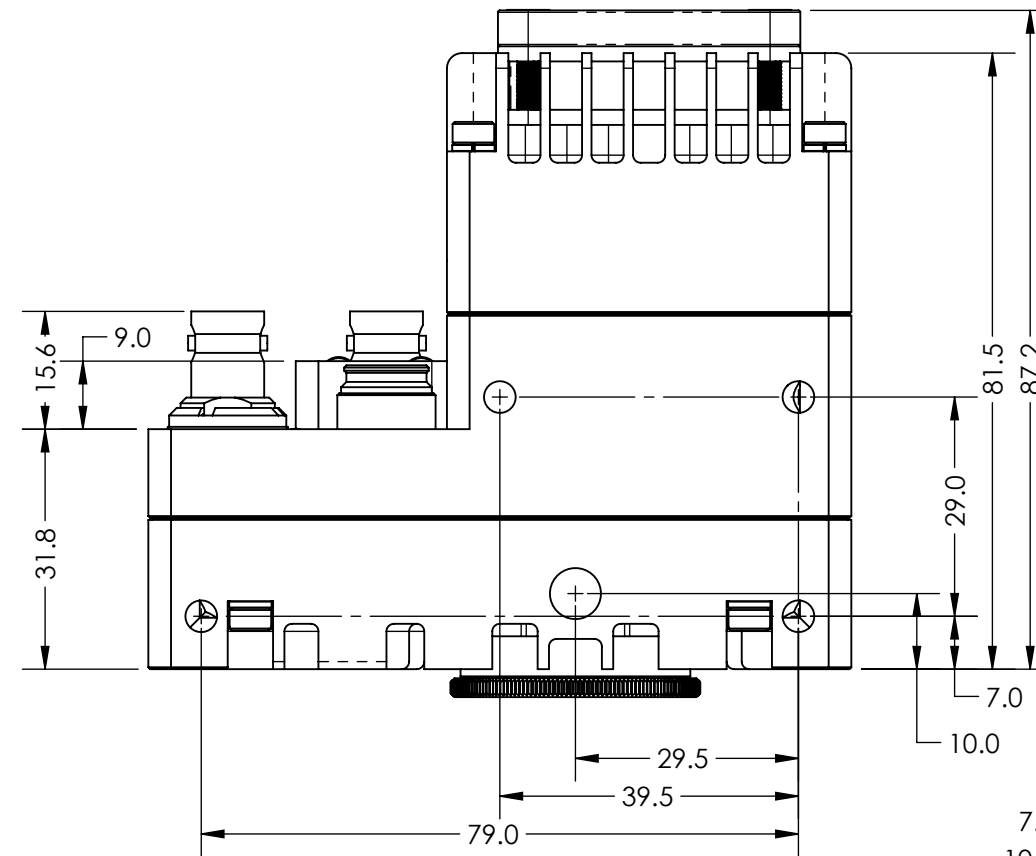
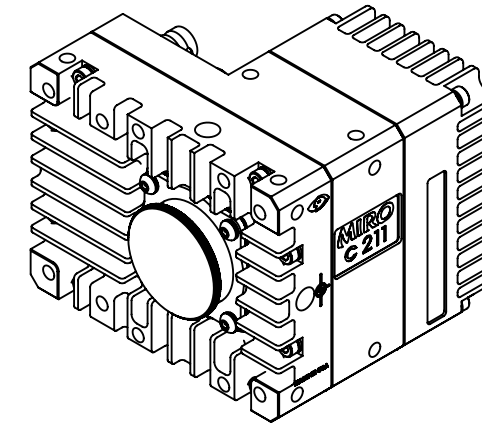
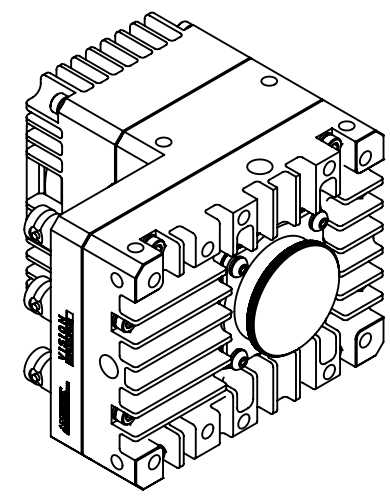
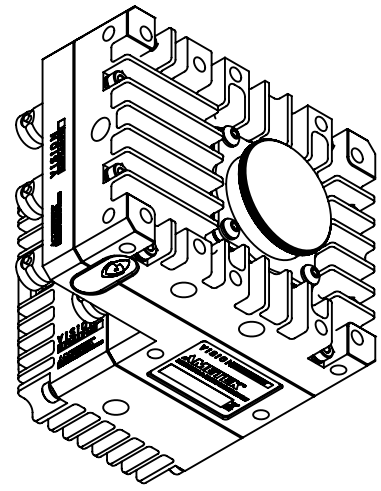
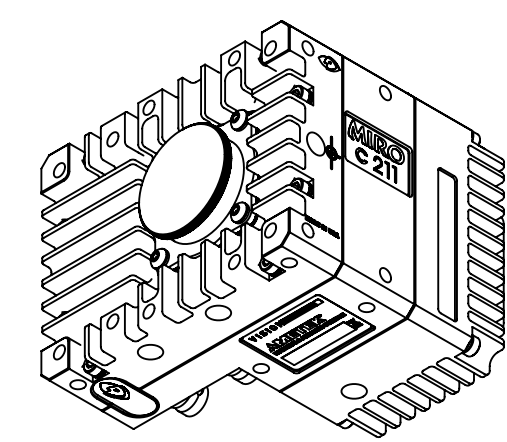
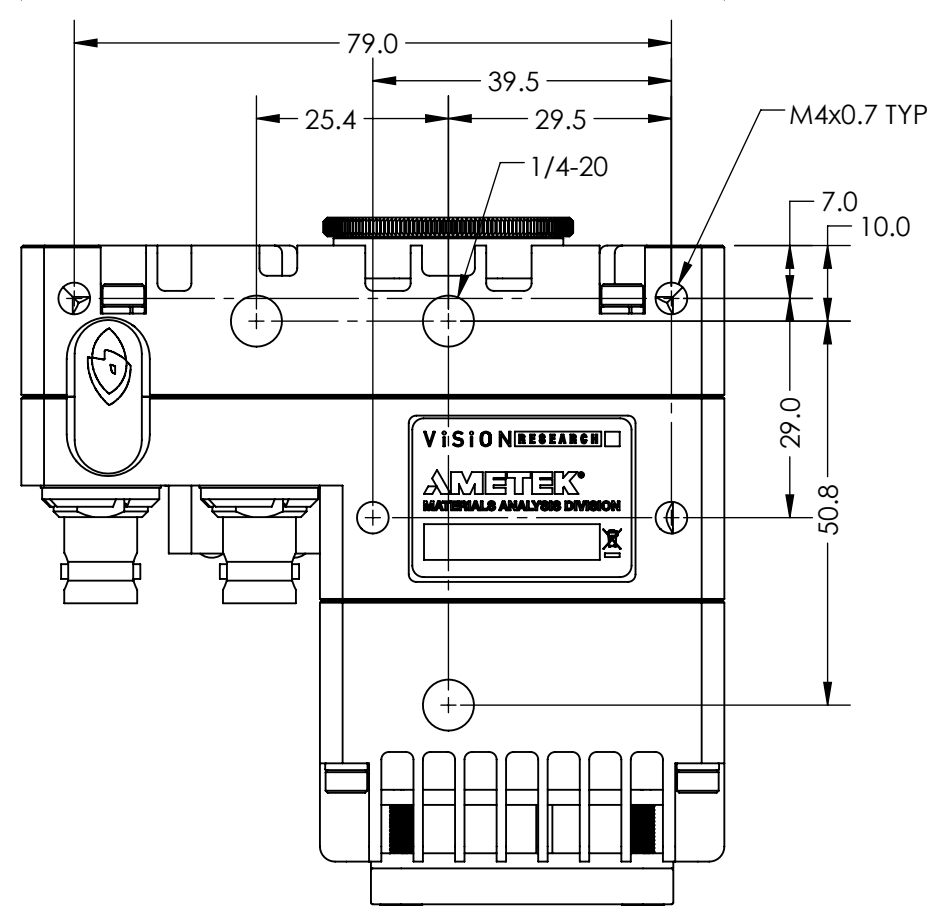


REVISIONS HISTORY			
REV.	DESCRIPTION	DRN BY	APP'D BY
0	INITIAL RELEASE	B.E.	8/11/2022



1.20
17.50±0.01 LENS MOUNT TO ACTIVE SENSOR AREA



PROPRIETARY AND CONFIDENTIAL THE INFORMATION CONTAINED IN THIS DRAWING IS THE SOLE PROPERTY OF VISION RESEARCH. ANY REPRODUCTION IN PART OR AS A WHOLE WITHOUT THE WRITTEN PERMISSION OF VISION RESEARCH IS PROHIBITED.		UNLESS OTHERWISE SPECIFIED: DIMENSIONS ARE IN MM TOLERANCES: FRACTIONAL: ±1/64 ANGULAR: MACH ±0.5 ONE PLACE ±0.25 TWO PLACE ±0.13 INTERPRET GEOMETRIC TOLERANCING PER: MATERIAL FINISH DO NOT SCALE DRAWING		NAME B.E. DATE 8/11/2022	VISION RESEARCH 100 Dey Road Wayne, New Jersey 07470 USA 973-696-4500 TITLE: CUSTOMER DRAWING, C211 SIZE DWG. NO. REV C ZDOC-64106-CD-0016 0 SCALE 1:1 SHEET 1 OF 1
APPLICATION C110	USED ON	DRAWN	CHECKED		
NEXT ASSY		ENG APPR.	MFG APPR.		
		Q.A.			